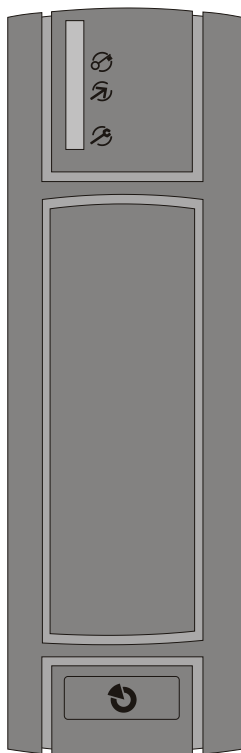


JA-122E BUS outdoor access module with RFID



The outdoor access module is a component of the **JABLOTRON 100** system. The RFID card reader can be used for the activation of a PG output by which you can control access to an area by, for example, an electric lock. The module only has a reading part and optical status indication. The device should be installed by a trained technician with a valid certificate issued by an authorised distributor.

Installation

1. Release the screw which holds the plastic cover (6).
2. Install the plastic base onto the prepared place where the tamper spring can be properly switched (5).
3. Push the cable of the module through the plastic base.
4. Connect the bus cable to the bus terminals via a JA-110Z-A (B, C) terminal module and a JA-190PL installation box.



When connecting the module to the bus, always switch the power off.

5. Proceed with enrollment according to the control panel installation manual. Basic procedure:
 - a. When the device is powered, the yellow LED (3) starts flashing repeatedly to indicate that the access module has not been enrolled into the system.
 - b. Go to the **F-Link** software, select the required position in the **Devices** window and launch the enrollment mode by clicking on the **Enroll** button.
 - c. Press the tamper contact (5) on the back side of the module – the keypad is thus enrolled and the yellow LED indicator goes off.
6. Close the cover of the module using the screw (6).

Setting the properties

Go to the **Devices** window in the F-Link software. When you are at the module (reader) position, use the **Internal settings** option.

Entrance beep signalling: Audible signalling of the entrance delay time of the section to which the JA-122E has been assigned. The option is available if only the authorisation action is checked in F-Link.

Authorisation action: If the section to which the access module has been assigned is set, authorisation by reading an RFID card triggers the entrance delay time and activates the PGxx checked by the **PG control** option in F-Link.

PG control: Choose which PG will be controlled by authorisation only. The chosen PGs need to have their reactions set to Pulse or Change (see PG output settings). On one JA-122E access module it is possible to control several PGs at the same time by authorisation. Each PG output is only able to be controlled by 2 access modules (RFID readers/keypads), (settings are linked to PG outputs/activation/activation of PG output by authorisation on a keypad).

Module optical indication:

Indicates the status of the section to which the JA-122E has been assigned. The red LED indicates an armed (set) section, the green LED indicates a disarmed (unset) section.

Indication disabled: Optical indication is completely disabled.

Indication goes off: Optical indication shows the system status for 180 sec then it goes off. The system status is shown by RFID reader activation or a change in system status.

Permanent indication: The system status is indicated permanently.

Technical specifications

Power	from control panel digital bus (9...15 V)
Current consumption in standby mode	15 mA
Current consumption for cable selection	15 mA
Cover EN 60529	IP65
Mechanical strength EN 50102	IK08
RFID frequency	125 kHz
RFID cards	Jablotron 100 and EM Unique 125kHz
Dimensions	46 x 151.5 x 22.5 mm
Connection cable length	3.0 m
Operating temperature range	-25 to +60 °C
Operational environment	EN 50131-1 IV. Outdoor general

Classification according to	Grade 2
Also complies with	EN 50131-1, EN 50131-3, ETSI EN 300330, EN 50130-4, EN 55022, EN 60950-1



JABLOTRON ALARMS a.s. hereby declares that the JA-122E is in a compliance with the relevant Union harmonisation legislation: Directives No: 2014/53/EU, 2014/35/EU, 2014/30/EU, 2011/65/EU. The original of the conformity assessment can be found at www.jablotron.com - Section Downloads.



Note: Although this product does not contain any harmful materials we suggest you return the product to the dealer or directly to the producer after use.

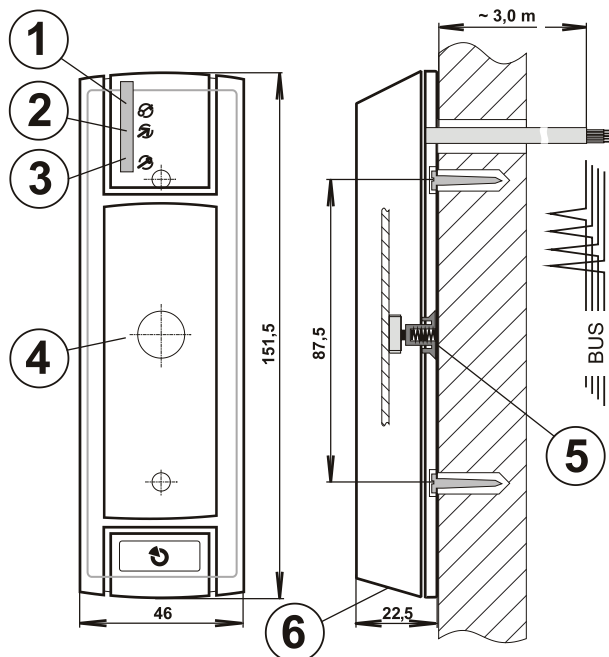


Fig: 1 – red LED indicates an armed (set) section, 2 – green LED indicates a disarmed (unset) section, 3 – yellow LED indicates fault/service mode, 4 – reading area, 5 – tamper contact; 6 – screw for holding the plastic cover